

SONY[®]

PlayStation[®]Classic

PlayStation[®]  [™]

Part names

Instruction manual

SCPH-1000R

USB port

HDMI output port

RESET button

POWER button

POWER indicator

OPEN button

Controller ports

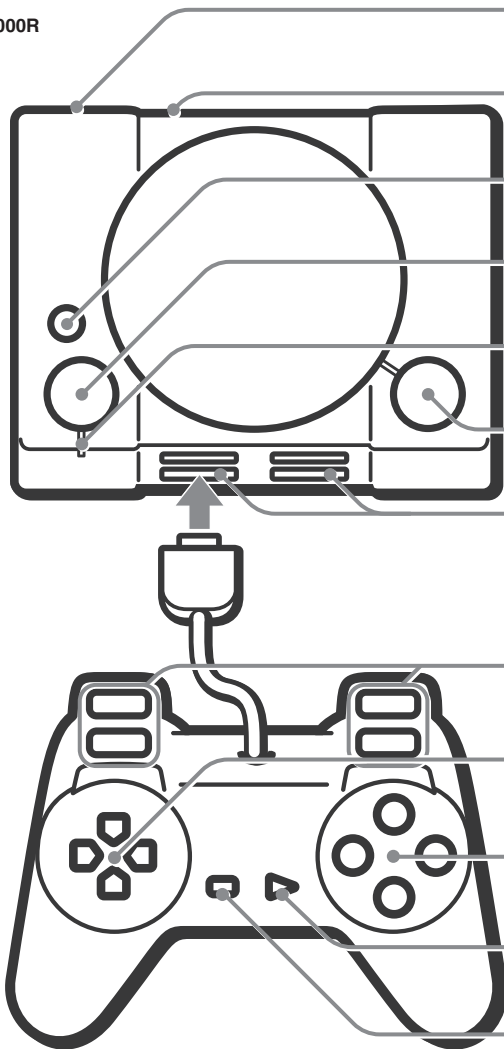
*L2 button, R2 button,
L1 button, R1 button*

Directional buttons

*△ button, ○ button,
× button, □ button*

START button

SELECT button



Thank you for purchasing PlayStation[®]Classic.
You can enjoy playing games preloaded on this console.

WARNING

To avoid electrical shock, do not open the enclosure.
Refer servicing to qualified personnel only.

Photosensitivity/Epilepsy/Seizures

A very small percentage of individuals may experience epileptic seizures or blackouts when exposed to certain light patterns or flashing lights. Exposure to certain patterns or backgrounds on a television screen or when playing video games may trigger epileptic seizures or blackouts in these individuals. These conditions may trigger previously undetected epileptic symptoms or seizures in persons who have no history of prior seizures or epilepsy. If you, or anyone in your family, has an epileptic condition or has had seizures of any kind, consult your physician before playing.

IMMEDIATELY DISCONTINUE use and consult your physician before resuming gameplay if you or your child experience any of the following health problems or symptoms:

- dizziness,
- altered vision,
- eye or muscle twitches,
- loss of awareness,
- disorientation,
- seizures, or
- any involuntary movement or convulsion.

RESUME GAMEPLAY ONLY ON APPROVAL OF YOUR PHYSICIAN.

Use and handling of video games to reduce the likelihood of a seizure

- Use in a well-lit area and keep as far away as possible from the television screen.
- Avoid large screen televisions. Use the smallest television screen available.
- Avoid prolonged use of the console. Take a 15-minute break during each hour of play.
- Avoid playing when you are tired or need sleep.

Precautions

Before using this product, carefully read this manual and the manual that came with your AC adaptor (not included) and retain them for future reference. Parents and guardians of children should read these manuals and make sure that children follow all safety precautions.

Safety

This product has been designed with the highest concern for safety. However, any electrical device, if used improperly, has the potential for causing fire, electrical shock or personal injury. To help ensure accident-free operation, follow these guidelines:

- Observe all warnings, precautions and instructions.
- Regularly inspect the USB cable for damage.

- Stop use, unplug the AC adaptor (not included) from the electrical outlet and disconnect any other cables immediately if the device functions in an abnormal manner, produces unusual sounds or smells or becomes too hot to touch.
- For more information on product safety and support, visit our website (•► "Further information").

Use and handling

- This console can play only the preloaded games. The console cannot download other games, or play PlayStation® format software discs or audio CDs.
- Only the included controllers are compatible with this console.
- The console memory stores limited game save data. External storage devices such as memory cards are not supported.
- Some game features and gameplay experience may be different from when played on previously released PlayStation® consoles.
- Do not use the console in a closed cabinet or other locations where heat may build up. Doing so may cause the console to overheat and may lead to injury or malfunction.
- If the console's internal temperature becomes elevated, a message will be displayed. In this case, turn off the console and leave it unused for a while. After the console cools down, move it to a location with good ventilation, and then resume use.
- Use in a well-lit area and keep as far away as possible from the television screen.
- Avoid prolonged use of the console and controller.
- Stop using the console immediately if you begin to feel tired or if you experience discomfort or pain in your hands or arms while operating the controller. If the condition persists, consult a doctor.
- If you experience any of the following health problems, discontinue use of the console immediately. If symptoms persist, consult with your doctor.
 - Dizziness, nausea, fatigue or symptoms similar to motion sickness
 - Discomfort or pain in a part of the body, such as eyes, ears, hands or arms
- Keep the console, accessories, and any small components out of the reach of small children.
- Keep this product out of the reach of small children. Small children may swallow small parts or may wrap the cables around themselves, which may inflict injury or cause an accident or a malfunction.
- Make sure the AC adaptor (not included) is unplugged from the electrical outlet before you connect the HDMI cable.
- Any TV or component connected to the console must be functioning properly and free of defects. If a TV or component connected to the console is faulty or defective, it may cause damage to the TV or component, or to the console itself. As with all electrical products, connection to faulty or defective components, or the failure to connect to a properly wired outlet, may cause sparking and pose a fire hazard.
- Do not touch the console, AC adaptor (not included), or connected cables or accessories during an electrical storm.
- Do not use the console or accessories near water.
- Do not allow liquid, small particles or other foreign objects to get into the console or accessories.
- Do not touch the connectors of the console or accessories.

- Do not expose the console or accessories to dust, smoke or steam. Also, do not place the console in an area subject to excessive dust or cigarette smoke.
 - Do not expose the console or accessories to high temperatures, high humidity or direct sunlight.
 - Do not place the console or accessories on surfaces that are unstable, tilted or subject to vibration.
 - Be careful when carrying the console and its accessories. If you do not have a good grip, the console and accessories may drop, causing potential damage or injury.
 - Do not turn off the console while data is being saved on or loaded from the console memory.
 - Do not disconnect the console from the power source while the POWER indicator is green. Doing so may cause data to be lost or corrupted, or the console may be damaged.
 - Do not stand on or put objects on the console, and do not stack the console with other devices.
 - Do not place the console and connected accessories on the floor or in a place where they may cause someone to trip or stumble.
 - Do not allow bodily contact with the console for an extended period of time while in use. It may cause low-temperature burns.
 - When connecting the console to a plasma or projection* TV, do not leave a still image on the TV screen for an extended period of time, as this may leave a faint image permanently on the screen.
- * Except LCD screen types

Vents

Do not block any vents. To maintain good ventilation, follow the guidelines below:

- Place the console at least 10 cm away from a wall surface.
- Do not place on a carpet or rug with long fibers.
- Do not place in a narrow or cramped space.
- Do not cover with cloth.
- Do not allow dust to build up on the vents.

AC adaptor (not included) and USB cable

- Do not plug the AC adaptor (not included) into an electrical outlet until you have connected the HDMI cable. Make sure the TV is unplugged from the electrical outlet prior to connecting it to the console.
- Do not use an AC adaptor (not included) that does not meet the designated specifications. Doing so may cause fire or electric shock.
- Do not touch the plug of the AC adaptor (not included) with wet hands.
- Do not damage the USB cable. Using a damaged cable or connector may lead to fire or electric shock.
- Protect the USB cable from being walked on or pinched particularly at the connector and the point where the cable exits from the console.
- Do not modify the USB cable.
- Do not place heavy items on the USB cable. Never pull by the cable.
- Do not place the USB cable near heating equipment and do not expose the cable to heat.
- Before connecting the console to power, check that there is no dust or foreign matter in or on the ports, connectors, or the electrical outlet. If the plug or connector becomes dirty, wipe off with a dry cloth before connecting. Allowing dust or foreign matter to build up may cause fire or electric shock.

- Unplug the AC adaptor (not included) from the electrical outlet before cleaning or moving the console, or when you do not intend to use the console for an extended period of time. When disconnecting, grasp the USB cable by the connector and pull straight out of the AC adaptor (not included). Never pull by the cable and do not pull out at an angle.
- Do not connect the AC adaptor (not included) to a voltage transformer or inverter. Connecting the AC adaptor (not included) to a voltage transformer for overseas travel or an inverter for use in an automobile may cause burns or a malfunction.

Never disassemble or modify the console or accessories

Use this product according to the instructions in the product documentation. No authorization for the analysis or modification of this product, or the analysis and use of its circuit configurations, is provided. Unauthorized modification of this product will void your warranty. There are no user serviceable components inside this product.

Moisture condensation

If this console is brought directly from a cold location to a warm one, moisture may condense inside the console and cause it to operate improperly. Should this occur, turn off and unplug the console. Do not use the console until the moisture evaporates (this may take several hours). If the console still does not operate properly, contact Customer Service Hotline (☎▶ "Further information").

Cleaning

For safety reasons, before cleaning the console or connected accessories, disconnect the AC adaptor (not included) from the electrical outlet.

Exterior surfaces (plastic cover of console and controller)

Follow the instructions below to help prevent the product exterior from deteriorating or becoming discoloured.

- Wipe with a soft, dry cloth.
- Do not apply insecticides or other volatile substances.
- Do not place any rubber or vinyl materials on the product exterior for an extended period of time.
- Do not use solvents or other chemicals. Do not wipe with a chemically-treated cleaning cloth.

Vents

When dust accumulates in the console vents, remove the dust with a low-powered vacuum cleaner.

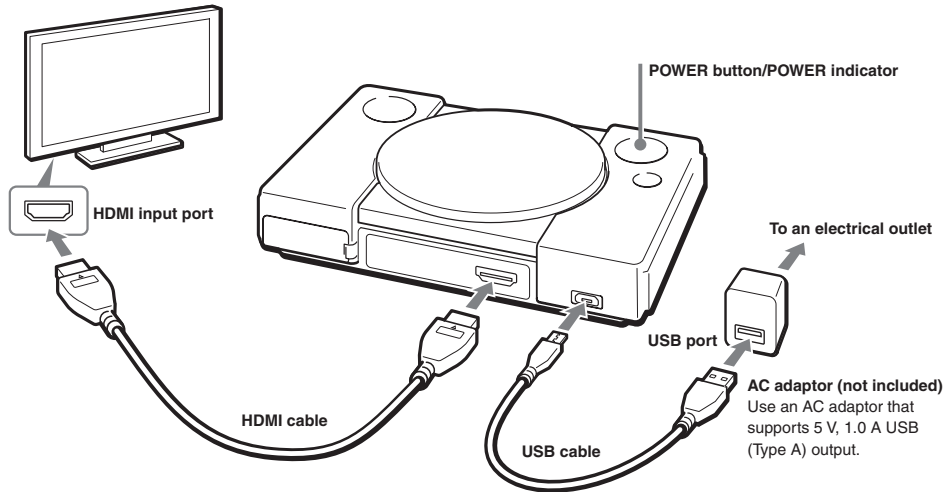
Connectors

Do not use when the connectors of the console or the USB cable are not clean. If used when dirty, the flow of electrical current may be obstructed. Remove the dirt with a dry cloth.

Connecting your console

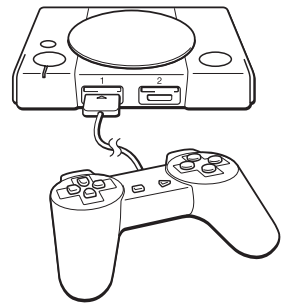
Connect your console as shown in the illustration.

- Use the included cables.
- After making all connections, plug the AC adaptor (not included) into an electrical outlet. The POWER indicator turns orange momentarily.
- Read the instruction manuals for any connected devices as well.



Connecting the controller

Connect the controller to a controller port. When playing by yourself, connect the controller to port 1.



Turning your console on and off

Switch your TV's input to HDMI, and then press the POWER button. When your console is turned on, the POWER indicator changes from orange to green, and the home screen appears on your TV.

To turn your console off, press the POWER button again.

Playing a game

Starting a game

Select a game with the left button or right button on the controller.

The game's start screen appears.

Saving

You can save game data on a virtual memory card.

The method for saving data and loading data varies by game.

Select [MEMORY CARD] on the home screen to view or delete saved data for the selected game.

Switching discs

You might need to switch virtual discs for PlayStation® format software that was originally provided on multiple discs. If a message appears asking you to switch discs, press the OPEN button on the console.

Note that pressing the OPEN button activates the switching of virtual discs and does not open the console.

Returning to the home screen

Press the RESET button on the console. Your game is closed, and the current state of gameplay is saved as a resume point.

- One resume point can be saved for a single game. When a resume point already exists, you can choose to overwrite it.
- Select [RESUME POINT] on the home screen to continue playing where you left off.

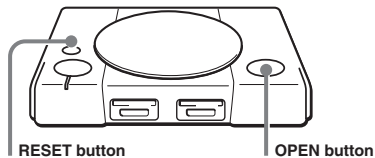
If the console doesn't recognize your controller

Press the RESET button on the console.

Home screen



MEMORY CARD
RESUME POINT Selected game



Specifications

Design and specifications are subject to change without notice.

The illustrations and screen images used in this manual may vary from the actual product.

Video output

720p, 480p

Sound output

Linear PCM

Input/output

HDMI™ output port

USB port (Micro-B)*

Controller port × 2

Power*

5 V \Rightarrow 1.0 A

Maximum rated power

5 W

External dimensions (excluding controller)

Approx. 149 × 33 × 105 mm (width × height × depth)

Mass

Console: Approx. 170 g

Controller: Approx. 140 g

Operating temperature

5 °C to 35 °C

* A commercially available USB AC adaptor (not included) is required to use this console. Use an AC adaptor that supports 5 V, 1.0 A USB (Type A) output. However, there is no guarantee that all AC adaptors are compatible with your console.

Use of this product means acceptance of Sony Interactive Entertainment Inc.'s software licence agreement. Refer to doc.dl.playstation.net/doc/psclassic-eula/ for further details.

POWER indicator status

Off

Console is off.

Orange

Console is on standby.

Green

Console is on.

Blinking orange and green alternately

Console is overheating.

Remove the AC adaptor (not included) from the electrical outlet, and then leave your console in a well-ventilated location for a while.

Red

Console is overheating.

Your console turns off automatically. Remove the AC adaptor (not included) from the electrical outlet, and then leave your console in a well-ventilated location for a while.

HARDWARE WARRANTY

For warranty terms and conditions of respective regions, please refer to the "Support" page of the official website asia.playstation.com, or call our Customer Service Hotline (**▶ "Further information").

Copyright and trademarks

"PS" and "PlayStation" are registered trademarks or trademarks of Sony Interactive Entertainment Inc.

"SONY" and "SONY" are registered trademarks or trademarks of Sony Corporation.

The terms HDMI and HDMI High-Definition Multimedia Interface, and the HDMI Logo are trademarks or registered trademarks of HDMI Licensing Administrator, Inc. in the United States and other countries.

Visit doc.dl.playstation.net/doc/psclassic-oss/ or refer to the information provided in the software for licenses of third-party software and open-source software, and copyrights.

All other trademarks are the properties of their respective owners.

Further information

PlayStation®Classic website

For more information about the product, visit the website below.

rd.playstation.com/psclassic/



Support

The PlayStation® product support site of the Official Website (see below) provides the latest questions and answers about your product.

Official Website

asia.playstation.com

Customer Service Hotline

Mon to Sun 9:00-20:00

Hong Kong 852-2341-2356

Singapore 800-8523-663

PlayStation®



Sony
Interactive
Entertainment

